

Catalog #	Type
Project	
Notes	Date
Prepared by	



# 8" LED/F-Class GEN V

LED 8" Lensed Vandal Resistant Downlight, IC Rated, 750-5000 Lumens



## Description

8 inch LED recessed, IC Rated luminaire with medium beam spread, featuring superior thermal management with low profile projection into the plenum. Light engine features LED module and Advance Xitanium LED driver with outputs ranging from 750 to 5000 lumens and color temperatures from 2700 to 5000K. A wide selection of driver, reflector finishes and emergency battery back-up options available.

## Specifications and Features

### Construction

Galvanized steel mounting frame with integral junction box featuring hinged access covers and spring retaining latches; (3) 3/4" knockouts allowing straight conduit runs. Listed for (8) #12 AWG (4 in, 4 out), 90° C conductors and feed through branch wiring. Driver, LED module and optional battery backup accessible from below ceiling. Reflectors are held in place by friction clips, securing reflector flange tightly to finished ceiling.

Vertically adjustable mounting brackets, accessible from below, accept a variety of mounting bars. Provided as standard with rigid formed, galvanized bar hangers which incorporating joist positioning tabs, integral nails, auxiliary nail holes and T-bar slots. Suitable for joist spacing from 12 to 24".

### Light Engine

LED module is DLM Flex, producing up to 107 lumens per watt. Output ranges from 750 to 5000 lumens with (4) standard color temperatures. Color variations are less than 3-step MacAdam ellipses and have greater than 80 CRI at all color temperatures. Rated life in excess of 50,000 hours at 70% of lumen output (L<sub>70</sub>>50,000 hours). Standard driver is Advance Xitanium featuring auto reset

thermal protection and 0-10V dimming to 1% of initial light output with flicker free operation. Optional Triac (phase control) and Lutron Hi-Lume 2 wire dimming driver available.

### Optics

LED module features soft white acrylic window, obscuring LED's, preventing pixilation and producing uniform brightness. Reflectors are a one-piece spinning from heavy gauge, high purity aluminum and are self-flanged. Reflectors are available in both Alzak® and painted finishes, producing a uniform distribution free of streaks, striations or hotspots while also providing superior cutoff and brightness control. Standard distribution is medium with lens options available out of polycarbonate materials with a variety of optical properties.

### Controls

Compatible with a wide range of controls systems depending on driver selected. Standard driver features SensorReady technology for simple 2 wire connection to motion and daylight harvesting sensors. An open source architecture allows for the use of a wide variety of sensors and the ability to control individual or grouped luminaires through wireless communications. Contact factory for option controls and sensors.

### Listings

Manufactured and Listed to UL 1598, ETL and CSA standards. IC rated, insulation may be in direct contact with luminaire. Suitable for Damp Locations; Wet locations under covered ceiling. All photometric tests performed by an accredited NVLP facility and in accordance to IESNA LM-79-2008 testing procedures. ENERGY STAR® certified product.

### Warranty

5-year warranty on LED components.

## Ordering Information

EXAMPLE: VVRC8VEFLEDU-1130K-VVRL8011FRP-SGC

Series/Source	Voltage	Lumens	Kelvin	Reflector	Lens	Finish	Options
VVRC8VEFLED 8" round, vandal resistant IC Rated	U <sup>1</sup> - 120V-277V 1 - 120 Volts	-07 -750 -11 -1100 -15 -1500 -20 -2000 -30 -3000 -40 <sup>3</sup> -4000 -50 <sup>3,4</sup> -5000	27K - 2700K 30K - 3000K 35K - 3500K 40K - 4000K 50K - 5000K	VVRL801(X)	1P 1FRP 4P 2D 4D 6D 8D	SCL SGC WHT	TDM <sup>4</sup> EM-17 <sup>7</sup> HCR <sup>10</sup> PF AT

### Reflector Finish Options

SCL - Specular Clear  
SGC - Soft Glow Clear  
WHT - White Painted

### Lens Options

1P - Clear Polycarbonate  
1FRP - Frosted Polycarbonate  
4P - Prismatic Acrylic

### Special Optics

2D - Optical Diffuser - 20°  
4D - Optical Diffuser - 40°  
6D - Optical Diffuser - 60°  
8D - Optical Diffuser - 80°

### Options

TDM<sup>4</sup> - Triac Dimming Driver. Not available above 5000 Lumens.  
EM-17<sup>7</sup> - Emergency battery back-up. Remote test button & indicator Light.  
HCR<sup>10</sup> - 90 CRI (minimum).  
PF - Polished Flange.  
AT - Airtight.

▲ Consultate Page OP-1 for additional housing and trim options.

### Notes

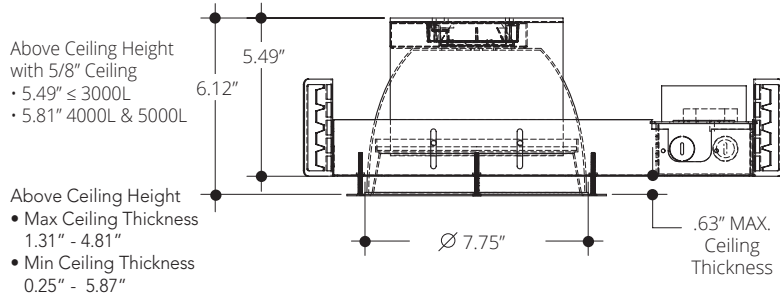
1 - Must provide voltage when optional drivers are selected.  
3 - LDE1 not available above 4000 Lumens.  
4 - TDM driver not available above 4000 lumens.  
7 - EM17 for use up to 5000 lumens.  
10 - HCR not available above 2000 Lumens.

All trims supplied standard with white painted flange.

Vantage reserves the right to change components, finishes or design details in any manner which does not alter the installed appearance or reduce performance and intended function.

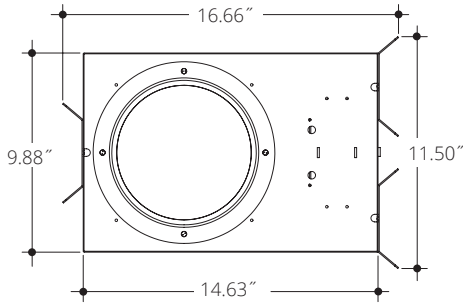
# LED 8" Lensed Vandal Resistant Downlight, non-IC, 750-5000 Lumens

Ceiling Cut Out 7.75"



Lumens	Wattage*
750	9.4
1100	15.4
1500	21.6
2000	27.2
3000	33.2
4000	45.6
5000	58.5

*All measured at 3000K  
\*Actual Wattage/Lumens may vary.*



## Photometrics

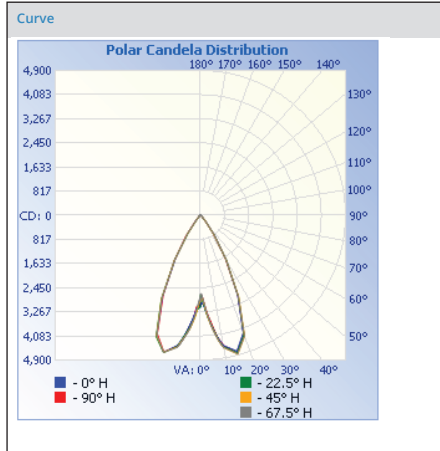
Test Number  
PHM-RPT-180412-01

Model  
A8VEFLEDU-5035K-L8011SCL

Lumens  
3948.56

Efficiency  
66.08

SC  
0.9970



Cone of Light

Beam Depth	Center Beam fc	Beam Width	Beam Depth
1.7	1,010	1.5	1.7
3.3	268	3.0	3.3
5.0	117	4.6	4.9
6.7	65.0	6.1	6.6
8.3	42.4	7.6	8.2
10.0	29.2	9.1	9.9

Candela Table

Degrees Vertical	Candela
0.0	2919
1.0	2995
3.0	3204
5.0	3597
7.0	3989
9.0	4336
10.0	4474
15.0	4760
20.0	4231
25.0	2978
30.0	1728
35.0	830
40.0	297
45.0	105
50.0	72
55.0	65
60.0	61
65.0	60
70.0	39
75.0	32
80.0	14
85.0	14
90.0	15

Zonal Lumen Summary

Zone	Lumens	% Luminaire
0-30	3,028.6	76.7
0-40	3,576.8	90.6
0-60	3,743.3	94.8
60-90	104.6	2.6
70-100	66.7	1.7
90-120	48.6	1.2
0-90	3,847.9	97.4
90-180	100.7	2.6
0-180	3,948.6	100.0

VANTAGE LIGHTING F-CLASS GEN V Multipliers

CRI	MULTIPLIER	KELVIN	MULTIPLIER	FINISH	MULTIPLIER
80	1	5000K	1.098	SCL	1
90	0.81	4000K	1.035	SGC	0.95
		3500K	1	WHT	0.87
		3000K	0.975		
		2700K	0.939		